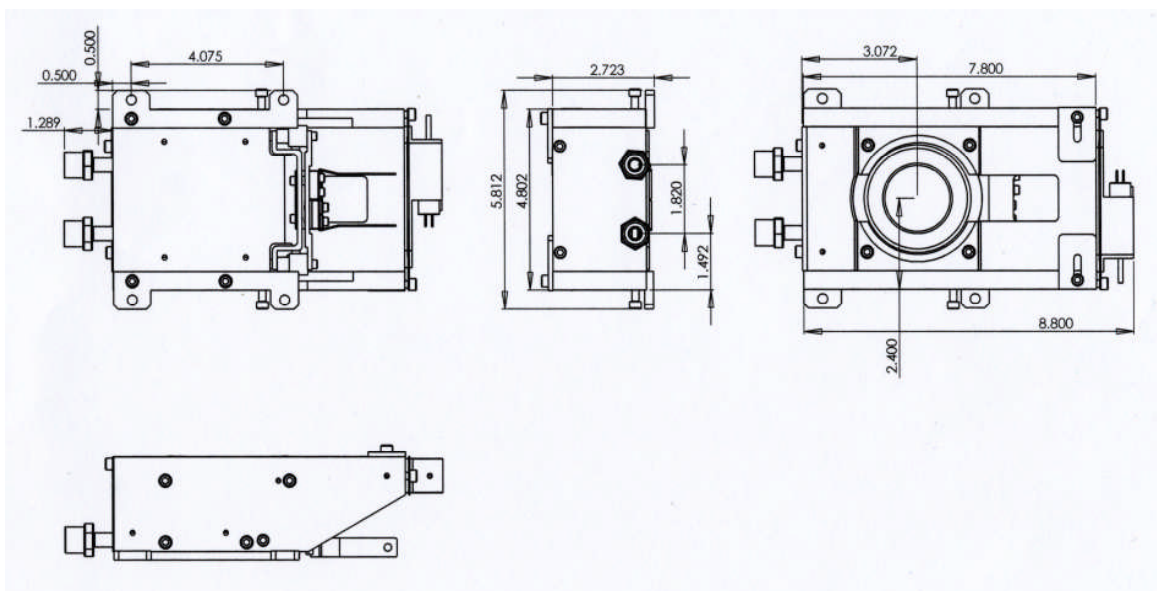


EB5 Specifications

<u>Electron Beam Deflection:</u>	<u>270°</u>
<u>Power Rating:</u>	<u>15kW</u>
<u>Maximum High Voltage:</u>	<u>10kV</u>
<u>High Voltage Range:</u>	<u>6kV to 10kV</u>
<u>Lateral Coil Resistance:</u>	<u>3.0 Ohm</u>
<u>Sweep, Lateral Coil:</u>	<u>+/- 1 Amp</u>
<u>Longitudinal Coil Resistance:</u>	<u>9.5 Ohm</u>
<u>Sweep Longitudinal Coil :</u>	<u>+/- 1 Amp</u>
<u>Emission Current:</u>	<u>up to 1.5Amp@10kV</u>
<u>Filament Power:</u>	<u>600 Watts Maxi-</u>
<u>mum</u>	
<u>Water Requirements:</u>	<u>3 gpm @ 10kW</u>
<i>Impute water temperature should be 60° F (15° C) @ 60 psi (4.2 kg/cm) with 3/8" (10mm) lines.</i>	
<u>Weight:</u>	<u>20 lbs. (kg)</u>
<i>As delivered, less shipping carton</i>	
<u>Dimensions:</u>	<u>2.910"H x 4.800"W x 10.850"L</u>
<i>Note: dimensions</i>	<u>7.4 cm H x 12.2 cm W x 27.6 cm L</u>
<u>Maximum Crucible Volume:</u>	<u>100cc</u>

EB5 Reference Dimensions



Crucible Dimensions

<u>Size</u>	<u>"A"</u>	<u>"B"</u>	<u>Part Number#</u>
7cc	.500	1.125	EB5-2816
15cc	.670	1.485	EB5-2817
25cc	.680	1.855	EB5-2818
30cc	.790	1.920	EB5-2819
40cc	1.020	2.030	EB5-2820
60cc	1.020	2.410	EB5-2821
100cc	1.470	2.700	EB5-2822